

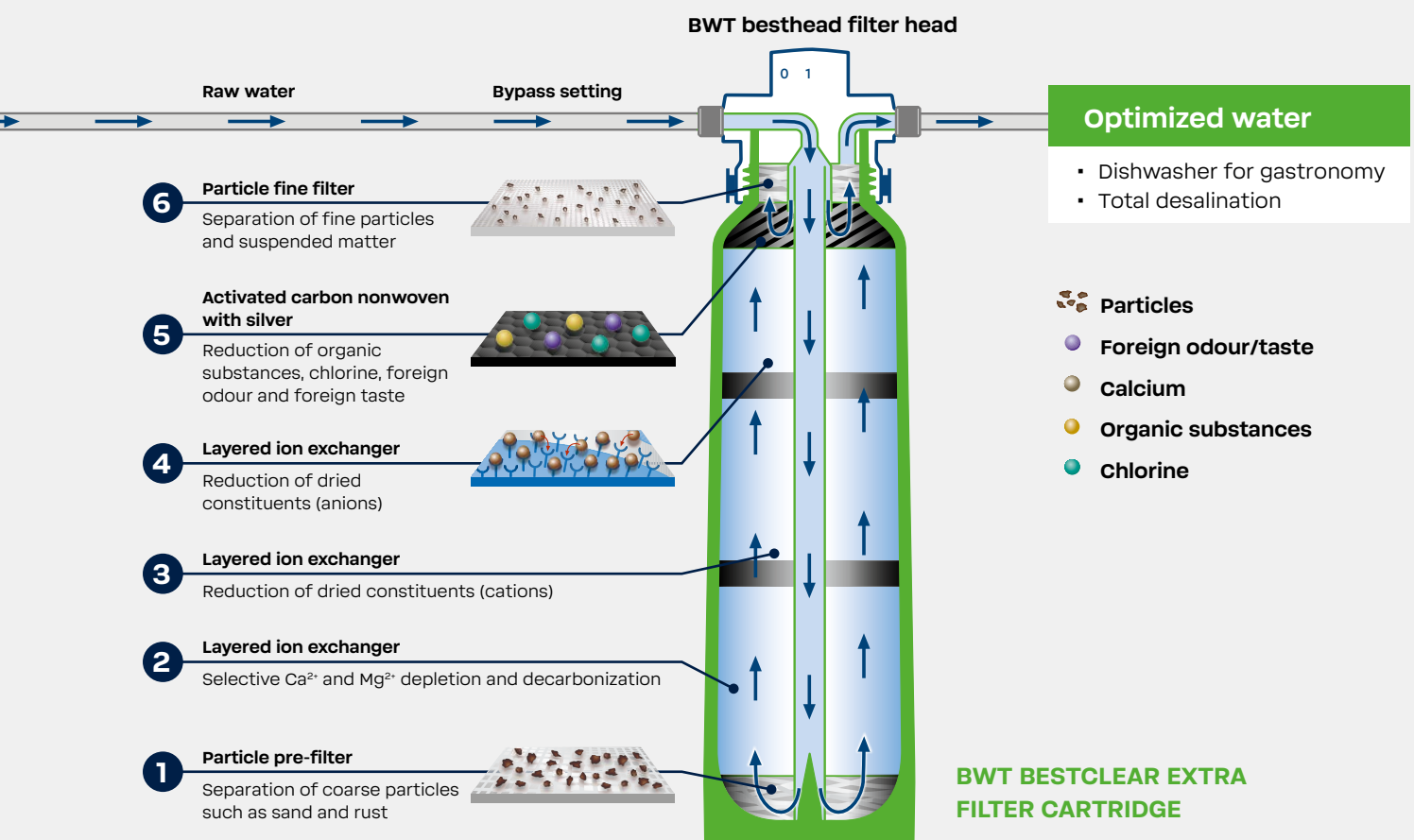


The desalinator

A water filter for the perfect rinse process

In the hotel, restaurant and catering sector, raw water must be optimized to ensure crystal-clear rinsing results. BWT bestclear EXTRA is a filter system that is the ideal solution for handling this task. The filter system's mechanical filter elements reliably trap particles and suspended solids, while the primary filtration stage reduces all dissolved salts with the aid of a mixed bed ion exchanger. The results speak for themselves: gleaming crockery, sparkling glasses and lustrous cutlery that perfect the ambience of the professionally laid table.

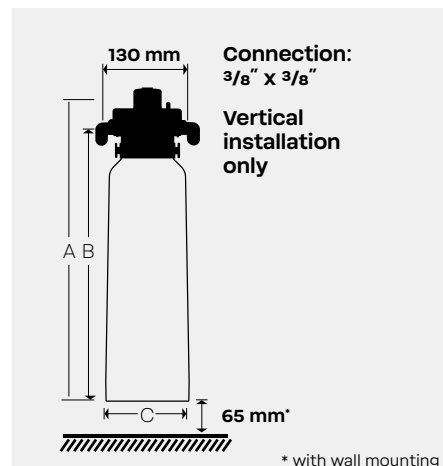
The filter system consists of a filter cartridge and screwed-on BWT besthead filter head. The two backflow prevention devices ensure that no water flows back into the drinking water pipeline or filter cartridge – or leaks out without warning. BWT bestclear EXTRA water filters are safe and pressure-resistant food-grade filters that can be utilized in any drinking water system worldwide.



TECHNICAL DATA

Filter size	2 XL
Total height without bracket (A) in mm	576
Connection height (B) in mm	515
Ø filter cartridge (C) in mm	185
Weight in kg, approx (dry/wet)	7.5/11.0
Pressure loss in bar (at 100/200 L/h)	0.15/0.45
Filter change after month	after 6 or 12*
Order no. for filter cartridge	FS30U10A00

* Recommendation: Replace the filter cartridges regularly after 6 months, but at the latest after 12 months or when the filter capacity is reached.



SETTINGS AND CAPACITIES/L⁽¹⁾

Compact dishwashers		
German total hardness	Bypass	Filter capacity 2 XL
4	O (1)	8250 (8910)
5	O (1)	6600 (7130)
6	O (1)	5500 (5940)
7	O (1)	4710 (5090)
8	O (1)	4125 (4460)
9	O (1)	3670 (3960)
10	O (1)	3300 (3560)
11	O (1)	3000 (3240)
12	O (1)	2750 (2970)
13	O (1)	2540 (2740)
14	O (1)	2360 (2550)
15	O (1)	2200 (2380)
17	O (1)	1940 (2100)
20	O (1)	1650 (1780)
23	O (1)	1430 (1540)
≥ 25	O (1)	≤ 1320 (≤ 1430)

⁽¹⁾ Capacities may deviate by up to ±5 % depending on the local water quality and volume flow. Please refer to the operating and installation instructions for more detailed capacity figures. Subject to change.

Operating conditions

Inlet pressure hot/cold water
min.–max. in bar: 2 - 6⁽²⁾/2 - 8
Water temperature hot/cold water
min.–max. in °C: 4 - 65⁽²⁾/4 - 30
Ambient temperature: 4 - 40 °C

⁽²⁾ When used with hot water a pressure regulator must be pre-connected!



ACCESSORIES

	Description	Order number
BWT besthead FLEX filter head	BWT besthead FLEX with 2 connectors 90° elbow, FLEX Insert, M 3/8" made from GFP	FS00Z20A00
BWT besthead FLEX Set 1	BWT besthead FLEX with 2 connectors 90° elbow, FLEX Insert, M 3/8" made from GFP, Connection hose DN 8, 1.5m, with ball valve, FLEX Insert 90° elbow made from GFP, cap nut FM 3/8", Connector straight, FLEX Insert x M 3/8" made from GFP, Reduction FM 3/4" x M 3/8" made from GFP	FS00Z39A00



MANUFACTURER: SALES:

BWT Holding GmbH:
Walter-Simmer-Str. 4
5310 Mondsee, Austria
bwt-wam.com

**BWT water+more
Deutschland GmbH:**
info@water-and-more.de
Tel.: +49 611 58019-0