

# AQA drink Pure Slim DUO & TRIO Drinking Water Filter Kit Installation and Operating Instructions

## Specifications:

**Pressure Range:** 30 – 72 psi (2.1 – 5.0 bar)

**Temperature Range:** 40 – 77°F (5 – 25°C)

**Rated Service Flow:** 2.0 Lpm

**Average Filter Capacity:** 300 Litres or 6 months

*(Filtered water capacity is dependent on source water quality)*

## Parts Included:

- Filter Head, Duo or Triple with push-fit connections
- Two or three filters depending on model
- Rear mounting plate
- Self cutting Valve with tube attached
- Drinking water tap
- 6mm (1/4") plastic tubing

## Tools required:

- Phillips Screwdriver
- Towel
- Drill
- Tape Measure
- File or Sandpaper
- Pencil
- 6mm (1/4") Drill Bit
- 12.5mm (1/2") Drill Bit

## Precautions:

**WARNING:** Do not use with water that is microbiologically unsafe or of unknown quality without adequate disinfection before or after the system. Systems certified for cyst reduction may be used on disinfected waters that may contain filterable cysts

**CAUTION:** This filter must be protected from freezing, which can cause cracking of the filter and water leakage.

**CAUTION:** Because of the product's limited service life and to prevent costly repairs or possible water damage, we strongly recommend that the head of the filter be replaced every ten years. If the head of your filter has been in use for longer than this period, it should be replaced immediately. Date the top of any new head to indicate the next recommended replacement date.



**CAUTION:** Turn off water supply to filter if it will be left unattended for an extended period of time.

- For cold water use only.
- Make certain that installation complies with all local bylaws and regulations.
- The contaminants or other substances removed or reduced by the selected cartridge are not necessarily in your water. Ask your local water supplier for a copy of their water analysis.
- After prolonged periods of non-use (such as during a holiday) it is recommended that the system be flushed thoroughly. Let water run for 2-3 minutes before using.
- The filter cartridges used with this system have a limited service life. Changes in taste, odour, colour; and/or flow of the water being filtered indicate that the cartridge should be replaced.

---

## Installations:

---

- For standard installation on 15 mm copper cold water pipe.
- Please read all instructions and precautions before installing and using your under-sink drinking water system.
- Numbered diagrams correspond with numbered steps.

## 1. Selecting the Tap Location

NOTE: The drinking water tap should be positioned with function, convenience and appearance in mind. An adequate flat area is required to allow tap base to rest securely whether fitted directly to your sink or an adjacent worktop.

## 2. Preparing to Fit the Tap

**!** WARNING: Wear safety glasses to prevent eye injury.

### Sink Location

The following instructions apply to stainless steel sinks only.

- Use base plate to ensure tap will fit in your chosen location.
- Line bottom of sink with newspaper to prevent metal shavings, parts, or tools from falling down the drain and damaging sink or disposal unit if fitted.
- Mark hole with a center punch. Use a 6mm drill bit for a pilot hole, then using a 12.5 mm diameter bit, drill a hole completely through the sink or worktop. Smooth rough edges with a round or half round file.

### Worktop Location

- The tap should be positioned on a work surface adjacent to a sink where the spout can easily discharge water into the basin.
- Using a pencil, mark the work surface to indicate the center of the tap.
- Drill a 12.5 mm hole where marked on the work surface.
- Smooth any rough edges with a round or half round file.

## 3. Installing the Quarter Turn Tap

- Insert a base plate and black rubber washer into the base of the tap.
- Insert the threaded section of the tap body into the 12.5mm hole.
- Assemble the washers and lock nut on the threaded section underneath.
- Ensure compression nut, ferrule and tube insert and positioned on the blue flexible tube shown in Fig 2.
- Insert the open end of the blue flexible tube assembly into the base of the threaded section of the tap.
- Tighten the compression nut to ensure a watertight seal. Do not over tighten.

**i** CAUTION: Do not attempt to drill through a porcelain sink. If your sink is porcelain, please consult a professional plumber about installation.

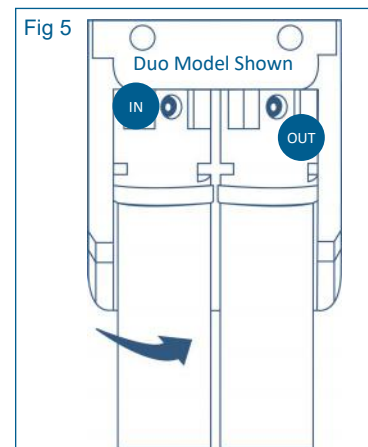
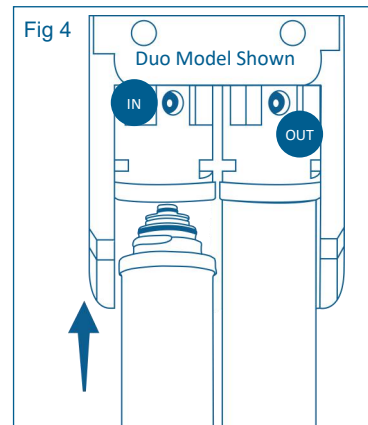
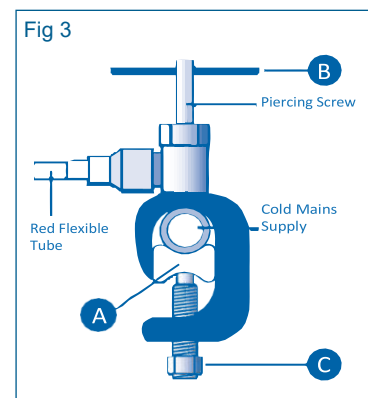
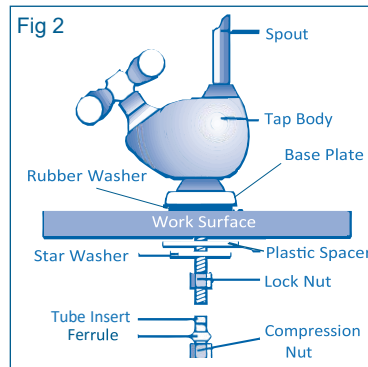
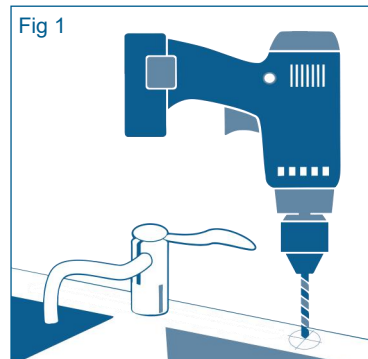
## 4. Installing the Saddle Valve:

Before carrying out any installation **TURN OFF THE WATER SUPPLY AT THE MAIN STOP COCK.**

- Fig 3, Place the saddle clamp on to the cold mains supply pipe to the kitchen sink.
- Tighten the locking screw C to clamp the pipe securely.
- Turn the piercing screw B clockwise and fully home to puncture the pipe, leave in this position.

## 5. Installing the Filters into the head

- DUO**, in order from the inlet (IN), SLIM C-101, SLIM MG-103.
- TRIO**, in order from the inlet (IN), SLIM C-101, SLIM MG-103, SLIM UF-104.
- Remove cartridges from packaging, locate cartridge into head, push in when lugs line up, twist clockwise until locked in. Fig 4 & 5
- Repeat for other cartridge(s).



## 6. Mounting the Filter System

- A) Taking note of the length of connecting tube available select a suitable position for the filter (normally on the side of the cupboard underneath the sink)
- B) Allow enough space below the head to facilitate filter changes (100mm).
- C) Using the template supplied as a guide, mark the position of the fixing holes with a pencil.
- D) Drill small pilot holes for the screws.
- E) Fix the bracket supplied to the side of the cupboard using suitable screws (screws not supplied)

## 7. Final Assembly

- A) To fit the tubing to the filter, remove the filter housing from the fixing. The red tube connects to the inlet, the blue tube to the outlet. Please see Fig 6
- B) Using a sharp hobby knife or similar to cut the flexible red tube from the self-cutting tap to a length suitable for it to reach the inlet side of the filter housing (marked 'IN'). Remember to allow a sufficient length, so that it can be routed without kinks and be kept clear of any sharp edges or obstacles.
- C) With the tube cut 'squarely' and to the right length, ensure the end is clean, remove the locking clip Z, (Fig 7) before firmly pushing it into the push fit connector on the inlet side of the filter cartridge, pull back slightly to affect a water tight seal, replace the locking clip Z. (You may find this easier on Trio models if you first remove the filters)
- D) Repeat process for the blue tube from the touch flow tap.
- E) Attach the tube to the outlet side of the cartridge head. (Refit cartridges if removed)
- F) Turn on water supply and open the saddle valve, then check all connections for leaks.
- G) Turn on the quarter turn tap to remove any airlocks. Run water for several minutes until water runs clear to flush and prime cartridge.
- H) Mount the filter back onto the fixing screws.

**NOTE:** For optimum performance, flow rate should not exceed 2 Lpm.

## 8. Filter Cartridge Replacement (Figs 8-11)

- A) Turn off the water supply to the filter and dispense water from drinking water tap until water flow stops to relieve pressure.
- B) Place a small bowl and towel under the filters to catch any water drips.
- C) Hold the filter cartridge, twist anti clockwise, the filter should pull out easily.
- D) Repeat for all cartridges.
- E) Remove and dispose of the cartridge, recycling where facilities exist.
- F) Fit the new cartridges, Remove cartridges from packaging, locate cartridge into head, push in when lugs line up, and twist clockwise until locked in. **Make sure cartridges are in the correct order.**
- G) Turn on water and check for leaks.
- H) Flush water through drinking water tap for up to 5 minutes to remove air, and any excess filter media.

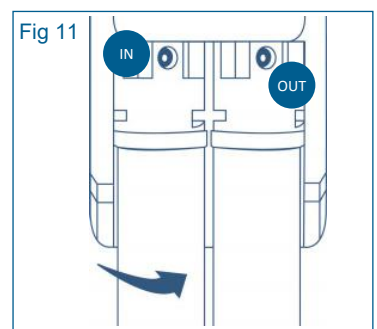
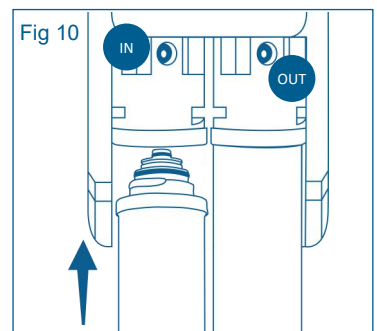
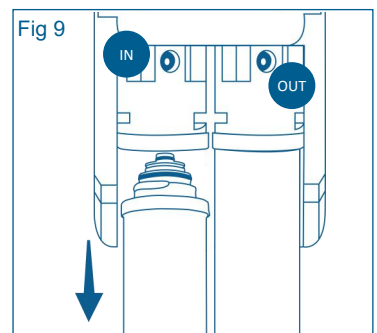
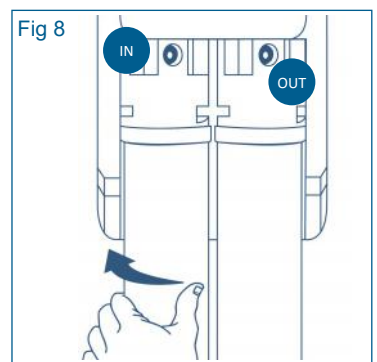
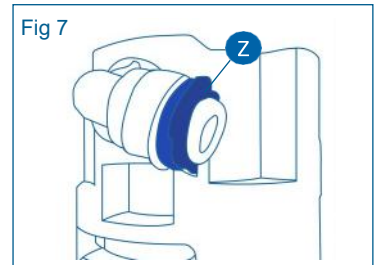
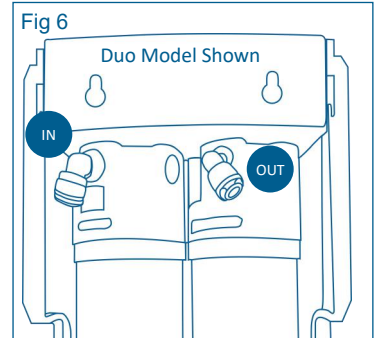
## 9. Filter Cartridge Replacement Packs

### DUO Pack Contains:

- 1 X Slim C-101 High Efficiency Activated Carbon Filter
- 1 X Slim Mg-103 BWT Mg+ Filter

### TRIO Pack Contains:

- 1 X Slim C-101 High Efficiency Activated Carbon Filter
- 1 X Slim Mg-103 BWT Mg+ Filter
- 1 X Slim UF-104 Membrane Filter 0.1 -0.01 micron



## BWT In-line Water Filter Kits Trouble Shooting Guide

Fault	Cause	Action
No filtered water	Water intake or isolating valve closed Filter not fitted correctly Mains water switched off Pipes are kinked	Check isolating valves and open if necessary. Check fittings are correctly attached. Turn on mains water. Reroute pipe with smooth and sweeping bends.
Leaking around the filter	Leak from tube connection Cracked filter body Trapped O Ring	Check pipes are cut squarely and fully inserted into the push-fit connectors, remembering to pull back on the pipe to complete the joint. Isolate system and replace filter.
Low flow rate	System pressure is too low Inlet valve not fully open	Check system pressure is greater than 2 bar. Check inlet valve is fully open
Air bubbles in water	Not completely bled	Repeat the bleeding procedure.
Water is milky/white in colour	Process-related formation of carbonic acid that escapes as small white bubbles	Cloudiness should disappear after approx. 5 min. If symptoms persist, please contact us on the number below.
Saddle valve leaking		Turn off saddle valve and turn on drinking water tap to release any pressure. Placing a small bowl under the tap to catch any water, carefully loosen and remake the joint, ensuring the tap is properly aligned to the main pipework. Open the water supply valve, then close tap and check for leaks. If the leaks persist, or if there are other leaks on the unit, turn off the water supply then call Technical Support on the number below.

**If your problem persists, please call our technical team during office hours on 01494 838 100**

## Europe's No.1 in Water technology

### CONTACT

BWT UK Limited,  
BWT House,  
Coronation Road,  
High Wycombe,  
Buckinghamshire,  
HP12 3SU

**Tel:** 01494 838 100

**Fax:** 01494 838 101

**Email:** sales@bwt-uk.co.uk

BWT 2020. In the interests of product development, we reserve the right to alter specifications without prior notice. All photographs and dimensions are given for guidance only. Terms and conditions apply. E&OE.

*bwt.com*

For You and Planet Blue.

