



BWT PERLA - Silk

Smart Enabled -Domestic Water Softener

S, M, L, XL

Smart Design - Technology Driven

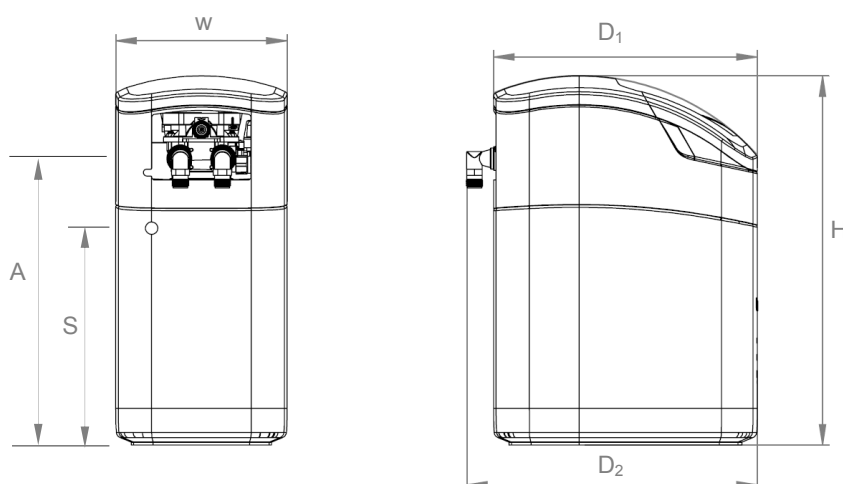
- Fully automatic operation & easy to use
- **New** Intuitive Customer Interface with International display
- Advanced digital control system for performance and efficiency
- **New** Smart power options for protected, interrupted, and non mains operation
- Proportional brining (more capacity, less salt consumption)
- **New** Brine Check valve prevents over filling
- Tested and fully compliant with the European quality Norm EN4743
- Automatic resin disinfection during regeneration (bio cell option)
- High flow connection kit for optimum flow rates.

Important Notice: Always keep the fitting and operating instructions close at hand to avoid any mistakes and before carrying out any work on the device you should read the fitting and operating instructions carefully and follow them. While our data sheets and brochures should provide advice to the best of our knowledge, the content thereof is not legally binding.

Product Data Sheet

| BWT Perla - Silk | Type | S | M | L | XL |
|--|-----------------------------|-----------------|-----------------|------------------|------------------|
| Nominal connection (outside thread) | BSP | ¾" (DN 20) | ¾" (DN 20) | ¾" (DN 20) | ¾" (DN 20) |
| Nominal flow rate in accordance with EN 14743 | l/h | 1440 | 1560 | 1680 | 1680 |
| Operating pressure UK (min./max.) | bar | 1.7 / 5.0 | 1.7 / 5.0 | 1.7 / 5.0 | 1.7 / 5.0 |
| Pressure drop down at nominal flow in accordance with EN 14743 | bar | 1.0 | 1.0 | 1.0 | 1.0 |
| Quantity of ion-exchange resin | l | 10 | 15 | 20 | 25 |
| Nominal capacity (EN 14743) / (CaCO ₃ mmol/l) | m ³ x°dH/mol/ppm | 26 / 4.6 / 460 | 43 / 7.7 / 770 | 60 / 10.7 / 1070 | 75 / 13.4 / 1340 |
| Capacity salt reservoir | kg | 12 | 16 | 24 | 24 |
| Salt consumption per regeneration | kg | 1.5 | 2.0 | 2.5 | 3.0 |
| Water consumption per regeneration | l | 85 | 105 | 125 | 145 |
| Protection class | IP | 51 | 51 | 51 | 51 |
| Water temperature (min./max.) | °C | 5 / 30 | 5 / 30 | 5 / 30 | 5 / 30 |
| Ambient temperature (min./max.) | °C | 5 / 40 | 5 / 40 | 5 / 40 | 5 / 40 |
| Electrical connection | V / Hz | 230 / 50 | 230 / 50 | 230 / 50 | 230 / 50 |
| Dimensions: Width x depth x height (W x D ₂ x H) | mm | 276 x 470 x 526 | 276 x 470 x 596 | 276 x 470 x 803 | 276 x 470 x 803 |
| Connection height (A) / Overflow height (S) | mm | 345 / 250 | 415 / 320 | 622 / 527 | 622 / 527 |
| Operating weight, approx. | kg | 40 | 50 | 65 | 70 |

*Tested with high flow connections available in options



BWT UK Limited, BWT House, The Gateway
Centre, Coronation Road, High Wycombe,
Buckinghamshire. HP12 3SU
Tel: +44 (0) 1494 838100
Email: Enquiries@bwt-uk.co.uk

For You and Planet Blue.

BWT
BEST WATER TECHNOLOGY