

BWT bestprotect

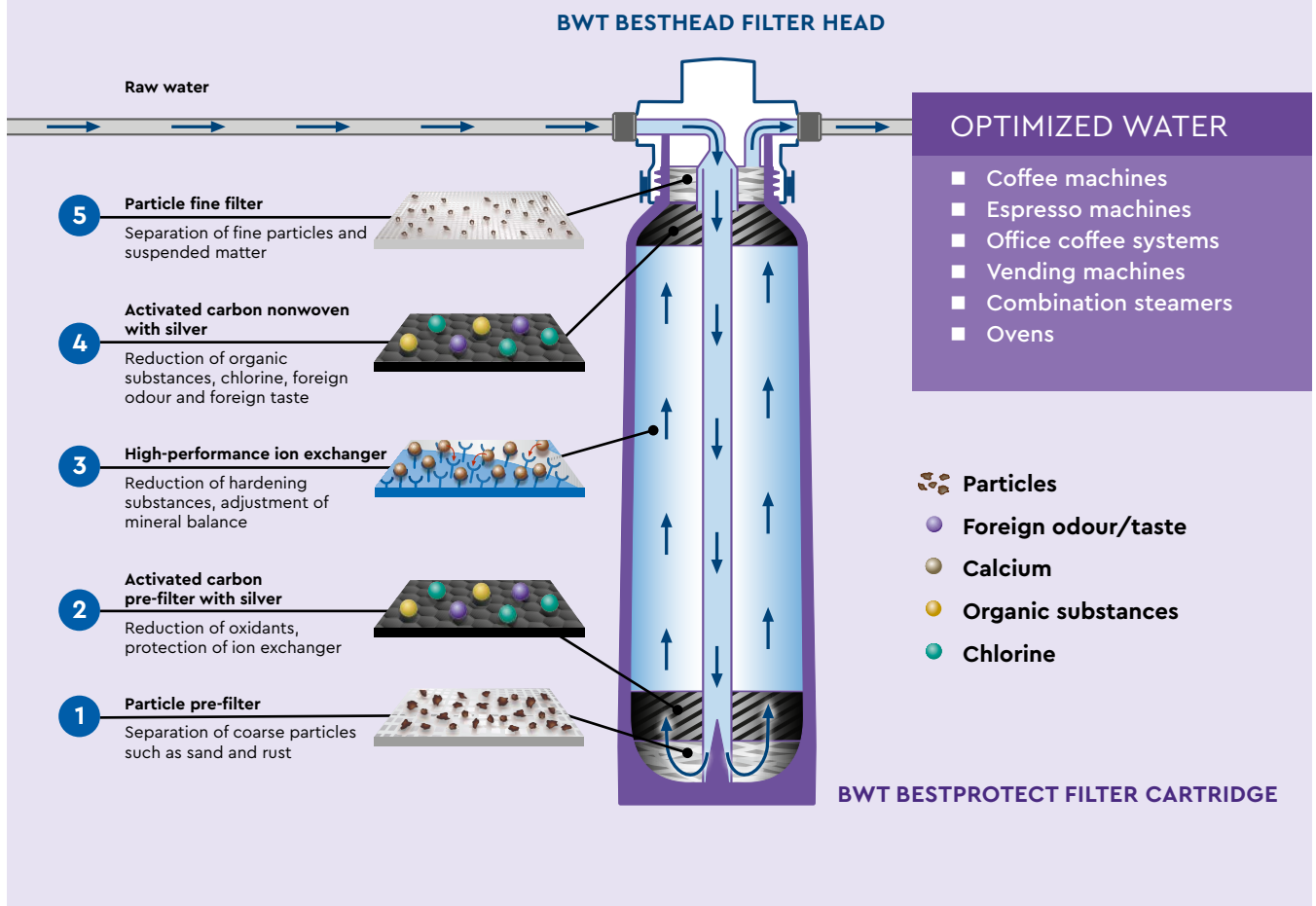


The protectors

WATER WITH THE PROTECTION FACTOR FOR CATERING AND VENDING

With BWT bestprotect, you can optimize raw water for catering application in a targeted way. This filter system ensures balanced mineralization and a consistently high pH value in the filtrate – key factors that minimize the risk of corrosion. Hardness-forming calcium ions are safely reduced and deposits of limescale and gypsum prevented in the case of raw water containing carbonates or sulphates. Insoluble or difficult-to-remove deposits in machines are now a thing of the past.

The filter system consists of a filter cartridge with a BWT besthead filter head. Check valves in the filter head prevent water backflow and uncontrolled water discharge. BWT bestprotect food-safe filter systems are pressure-resistant and safe. They can be used worldwide in any drinking water system.



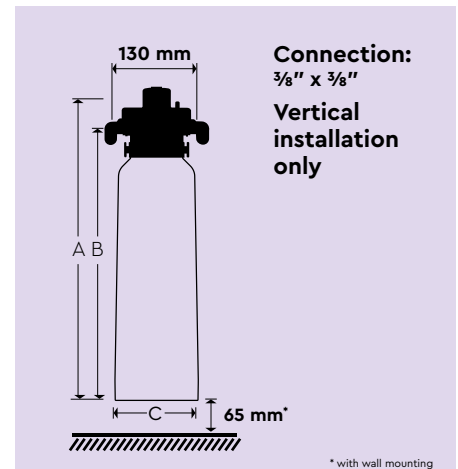
TECHNICAL DATA

Size	S	V	M	XL	2XL
Total height without bracket (A) in mm	368	429	485	512	576
Connection height (B) in mm	307	368	424	451	515
Ø filter cartridge (C) in mm	88	110	130	147	185
Weight in kg (dry/wet)	0,9/1,5	2,1/3,2	2,8/4,2	3,8/6,0	7,5/11,0
Order no. for filter cartridge	FS22N00A00	FS23N00A00	125501405	FS28N00A00	FS30N00A00

SETTINGS AND CAPACITIES⁽¹⁾ (no bypass setting)

Hot beverage preparation with steam generation / Combination steamer/oven					
Total hardness	Size				
	S	V	M	XL	2XL
≤7	≥ 855	≥ 2140	≥ 3143	≥ 5125	≥ 8570
8	750	1875	2750	4458	7500
10	600	1500	2200	3590	6000
12	505	1250	1833	2620	5000
14	440	1070	1570	2245	4285
17	380	880	1294	1850	3525
20	310	750	1100	1570	3000
23	240	600	957	1175	2400
≥ 25	≤ 225	≤ 556	≤ 880	≤ 1090	≤ 2220

⁽¹⁾ Capacities may deviate by up to ±5 % depending on the local water quality and volume flow. Please refer to the operating and installation instructions for more detailed capacity figures. Subject to change.



OPERATING CONDITIONS

Input pressure:	2–8 bar
Water temperature:	4–30 °C
Ambient temperature:	4–40 °C

ACCESSORIES

	Description	Order number
BWT besthead FLEX filter head	BWT besthead FLEX with 2 connectors 90° elbow, FLEX Insert, M 3/8" made from GFP	FS00Z20A00
BWT besthead FLEX Set 1	BWT besthead FLEX with 2 connectors 90° elbow, FLEX Insert, M 3/8" made from GFP, Connection hose DN 8, 1.5 m, with ball valve, FLEX Insert 90° elbow made from GFP, cap nut FM 3/8", Connector straight, FLEX Insert x M 3/8" made from GFP, Reduction FM 3/4" x M 3/8" made from GFP	FS00Z39A00



MANUFACTURER:

BWT Holding GmbH:
Walter-Simmer-Str. 4
5310 Mondsee, Austria
BWT-WAM.COM

SALES:

BWT water+more
Deutschland GmbH:
info@water-and-more.de
Tel.: +49 611 58019-0

