

# BWT bestmax



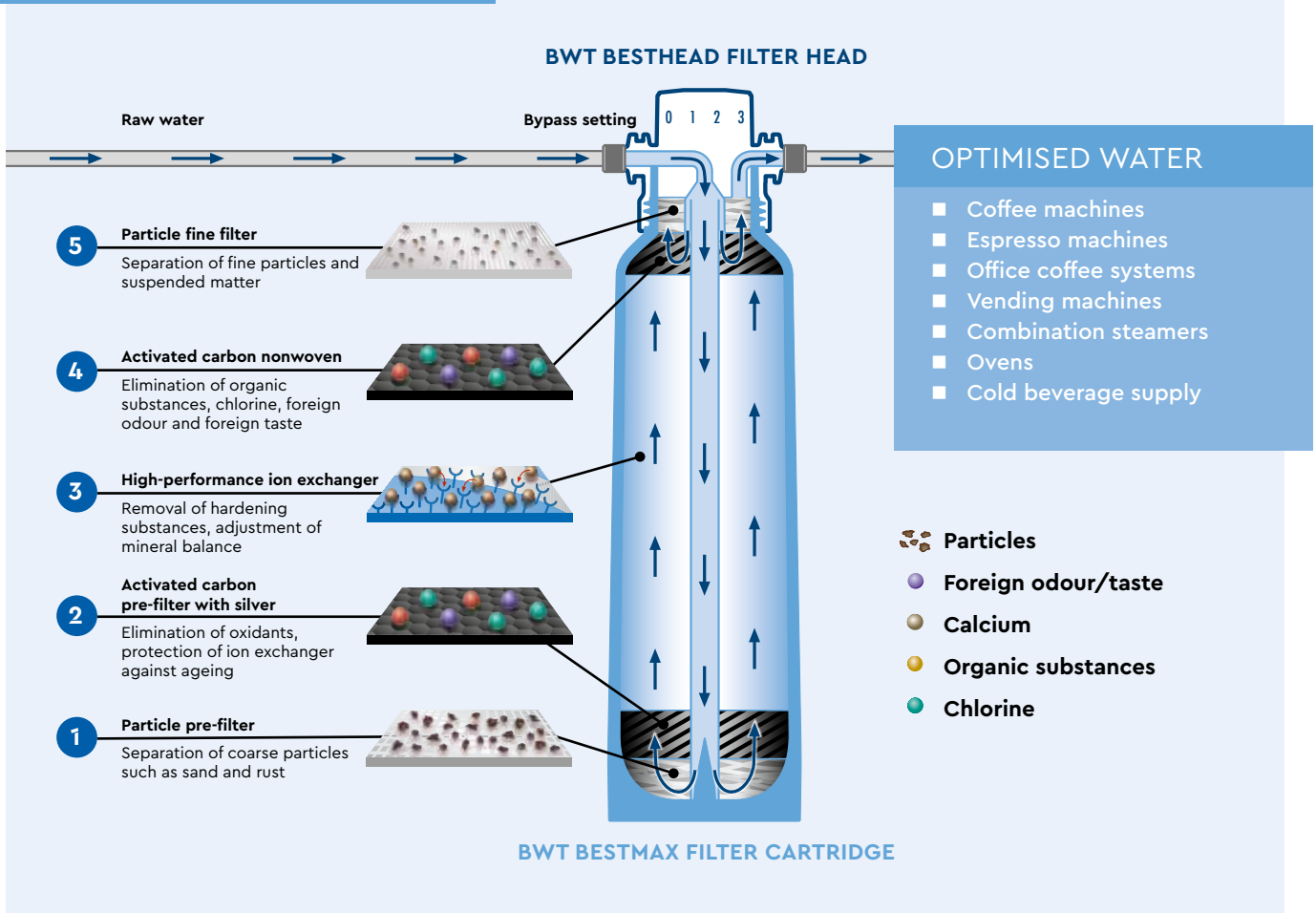
## The all-rounders

### FILTER SYSTEM FOR WATER OPTIMISATION

Raw water needs to be optimised for the specific requirements of the catering industry (HORECA). BWT bestmax provides you with a universal filter system that fulfils this task simply and efficiently.

The filter system consists of a filter cartridge with five filter levels and a BWT besthead filter head (see graphic) that is screwed on. The blend partial flow (0-3) is set on the filter head depending on the water hardness and requirement. Check valves in the filter head prevent the water from flowing back into the drinking water mains or filter cartridge and protect against uncontrolled water discharge.

BWT bestmax food-safe filter systems are pressure-resistant and safe. They can be used worldwide in any drinking water system.



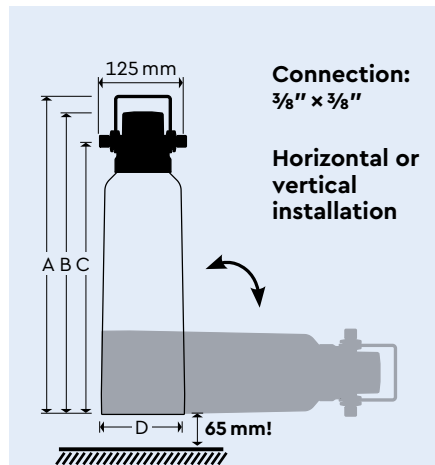
## TECHNICAL DATA

Size	X	S	V	M	L	XL	2XL
Height without handle (A) in mm	280	360	420	475	500	500	574
Height with handle (B) in mm	300	385	445	500	530	530	600
Connection height (C) in mm	230	310	370	425	450	450	520
Ø filter cartridge (D) in mm	88	88	115	130	145	145	185
Weight in kg, (dry/wet)	0.5/1.1	0.9/1.5	2.1/3.2	2.4/4.2	3.4/5.9	3.8/6.0	7.5/11.0
Order no. for filter cartridge	FS20I00A00	FS22I00A00	FS23I00A00	FS24I00A00	FS26I00A00	FS28I00A00	FS30I00A00

## SETTINGS AND CAPACITIES/L<sup>(1)</sup>

Vending, without steam generation								
Temporary hardness <sup>(2)</sup>	Blend	Size						
		X	S	V	M	L	XL	2XL
≤ 7 °dKH	3	≥ 1025	≥ 1710	≥ 4285	≥ 6510	≥ 8910	≥ 11655	≥ 20570
8 °dKH	3	900	1500	3750	5700	7800	10200	18000
<b>10 °dKH</b>	<b>3</b>	<b>720</b>	<b>1200</b>	<b>3000</b>	<b>4560</b>	<b>6240</b>	<b>8160</b>	<b>14400</b>
12 °dKH	3	600	1000	2500	3800	5200	6800	12000
14 °dKH	3	510	855	2140	3255	4455	5825	10285
17 °dKH	3	420	705	1765	2680	3670	4800	8470
20 °dKH	3	360	600	1500	2280	3120	4080	7200
23 °dKH	3	310	520	1300	1980	2710	3545	6260
≥ 25 °dKH	2	≤ 255	≤ 430	≤ 1075	≤ 1635	≤ 2235	≤ 2925	≤ 5160

Hot beverage preparation with steam generation								
Temporary hardness <sup>(2)</sup>	Blend	Size						
		X	S	V	M	L	XL	2XL
≤ 7 °dKH	3	≥ 855	≥ 1425	≥ 3570	≥ 5425	≥ 7425	≥ 9710	≥ 17140
8 °dKH	3	750	1250	3125	4750	6500	8500	15000
<b>10 °dKH</b>	<b>3</b>	<b>600</b>	<b>1000</b>	<b>2500</b>	<b>3800</b>	<b>5200</b>	<b>6800</b>	<b>12000</b>
12 °dKH	2	445	745	1865	2835	3885	5080	8965
14 °dKH	2	380	640	1600	2430	3330	4355	7685
17 °dKH	1	265	445	1115	1695	2320	3030	5355
20 °dKH	1	225	375	945	1440	1970	2575	4550
23 °dKH	1	195	330	825	1250	1715	2240	3955
≥ 25 °dKH	1	≤ 180	≤ 300	≤ 755	≤ 1150	≤ 1575	≤ 2060	≤ 3640



### OPERATING CONDITIONS

Input pressure: 2–8 bar  
 Water temperature: 4–30 °C  
 Ambient temperature: 4–40 °C

Combination steamer/oven and ice cube maker														
Filter capacity →	X		S		V		M		L		XL		2XL	
Temporary hardness <sup>(2)</sup> ↓	Blend <sup>(3)</sup>													
	0 (1)		0 (1)		0 (1)		0 (1)		0 (1)		0 (1)		0 (1)	
≤ 7 °dKH	≥ 590 (≥ 650)		≥ 985 (≥ 1080)		≥ 2460 (≥ 2710)		≥ 3740 (≥ 4115)		≥ 5120 (≥ 5635)		≥ 6700 (≥ 7370)		≥ 11820 (≥ 13000)	
8 °dKH	515 (565)		860 (945)		2155 (2370)		3275 (3600)		4480 (4930)		5860 (6445)		10345 (11375)	
<b>10 °dKH</b>	<b>410 (455)</b>		<b>690 (755)</b>		<b>1720 (1895)</b>		<b>2620 (2880)</b>		<b>3585 (3945)</b>		<b>4690 (5155)</b>		<b>8270 (9100)</b>	
12 °dKH	345 (375)		575 (630)		1435 (1580)		2180 (2400)		2985 (3285)		3905 (4295)		6895 (7585)	
14 °dKH	295 (325)		490 (540)		1230 (1355)		1870 (2055)		2560 (2815)		3350 (3685)		5910 (6500)	
17 °dKH	240 (265)		405 (445)		1010 (1115)		1540 (1695)		2105 (2320)		2755 (3035)		4865 (5355)	
20 °dKH	205 (225)		345 (380)		860 (945)		1310 (1440)		1790 (1970)		2345 (2580)		4135 (4550)	
23 °dKH	180 (195)		300 (330)		750 (825)		1140 (1250)		1555 (1715)		2035 (2240)		3595 (3955)	
≥ 25 °dKH	≤ 165 (≤ 180)		≤ 275 (≤ 300)		≤ 690 (≤ 755)		≤ 1045 (≤ 1150)		≤ 1430 (≤ 1575)		≤ 1875 (≤ 2060)		≤ 3310 (≤ 3640)	

<sup>(1)</sup> Capacities may deviate by up to ±5 % depending on the local water quality and volume flow. <sup>(2)</sup> °dKH = German temporary hardness.

<sup>(3)</sup> Default blend setting = 1. For devices sensitive to limescale, blend setting = 0. This reduces the capacities stated by approx. 10 %. Subject to change.

## ACCESSORIES

	Connection	Order number
<b>BWT besthead FLEX filter head</b>	BWT besthead FLEX with 2 connectors 90° elbow, FLEX Insert, M 3/8" made from GFP	FS00Z20A00
<b>BWT besthead FLEX Set 1</b>	BWT besthead FLEX with 2 connectors 90° elbow, FLEX Insert, M 3/8" made from GFP, Connection hose DN 8, 1.5 m, with ball valve, FLEX Insert 90° elbow made from GFP, cap nut FM 3/8", Connector straight, FLEX Insert × M 3/8" made from GFP, Reduction FM 3/4" × M 3/8" made from GFP	FS00Z39A00

## MANUFACTURER:

BWT water + more GmbH  
 Walter-Simmer-Str. 4  
 A-5310 Mondsee

## SALES:

BWT water+more Deutschland:  
 info@water-and-more.de · Tel.: +49 (0)611 58019-0

BWT water + more Austria:  
 kundenservice.wm@bwt-group.com · Tel.: +43 (0)6232 5011-1164

BWT Aqua AG Schweiz:  
 info@bwt-aqua.ch · Tel.: +41 (0)61 7558899

**BWT**  
 water + more