

UNDER-THE-SINK WATER FILTER

# AQA drink Pure LOFT

## MODERN KITCHEN AID THAT'S AN ABSOLUTE PLEASURE

### Filter cartridge

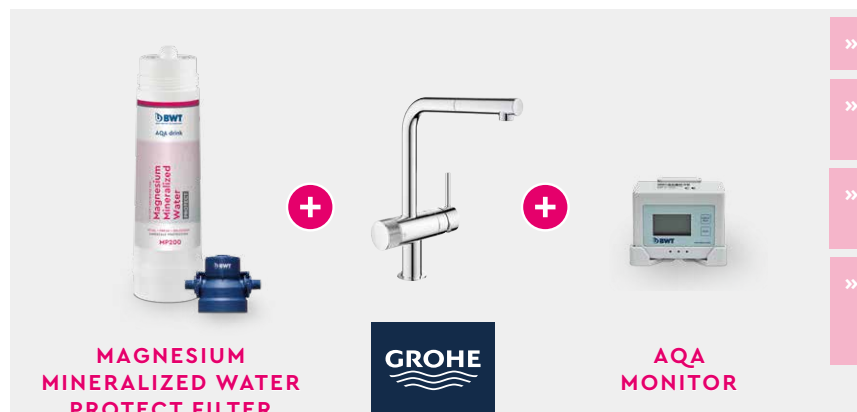
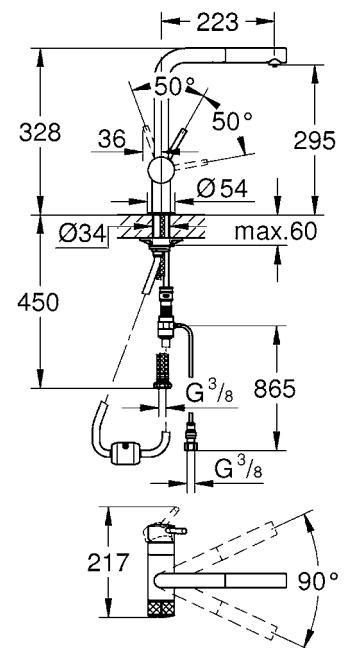
The AQA drink Magnesium Mineralized Water Protect filter cartridge, that comes with the set, is equipped with the patented BWT magnesium technology, which enriches tap water with Magnesium. Five filtration stages reduce substances such as chlorine, which can affect the smell and taste, and heavy metals, such as copper, lead and nickel. The filter also reliably removes limescale and therefore protects your household appliances.

### Tap

Via two levers you can choose, if you need filtered Magnesium Mineralized Water or normal, unfiltered hot or cold tap water. The separate water distribution system inside the tap is what makes this possible. A pull-out mousseur spray offers even more comfort when filling carafes or pots.

### Filter replacement indicator

The filter capacity is controlled by a programmable counter unit, which is connected through the flow sensor with the filter cartridge. You can program the capacity and runtime of the used filter. An acoustic signal indicates, when the filter cartridge must be changed.



- » COMPLETE SOLUTION
- » ONE TAP, TWO WATER OPTIONS
- » MAGNESIUM FILTER TECHNOLOGY
- » FILTER REPLACEMENT INDICATOR WITH ACOUSTIC SIGNAL

## OVERVIEW DATA

| INFORMATION      | SET   |
|------------------|---|
| ARTICLE NUMBER   | 125252398   |
| STYLE            | L spout   |
| TAP COLOUR       | Chrome  |
| TAP MATERIAL     | Metal   |
| ASSEMBLY         | Single-hole assembly  |
| Ø DRILL WORKTOP  | 34 mm   |
| OPERATION        | Swivel spout, single lever mixer and additional lever + pull-out mousseur spray |
| POWER CONNECTION | no  |
| TAP HEIGHT       | 328 mm  |
| TAP CONNECTORS   | Braided hose with 3/8" swivel nut   |

## TECHNICAL DATA FILTER CARTRIDGE

| INFORMATION                             | MP200               |
|---|---------------------|
| WORKING PRESSURE RANGE                  | 2-8 bar             |
| INTAKE WATER PRESSURE                   | >1.2 bar            |
| WATER TEMPERATURE (MIN. - MAX.)         | +4 to +30 °C        |
| AMBIENT TEMPERATURE (MIN. - MAX.)       | +4 to +40 °C        |
| NOMINAL FLOW                            | 180 l/h             |
| OPERATING POSITION                      | horizontal/vertical |
| TOTAL HEIGHT WITH WALL MOUNTING BRACKET | 385 mm              |
| HEIGHT TO CENTRE OF CONNECTION          | 306 mm              |
| Ø FILTER CARTRIDGE                      | 88 mm               |

## FILTER CAPACITY\*

| WATER QUALITY   | TOTAL HARDNESS IN °dH* | BYPASS SETTING** | MP200 |
|-----------------|------------------------|------------------|-------|
| SOFT            | <8                     | 3                | 900 l |
| MEDIUM          | 8-14                   | 3                | 470 l |
| HARD            | 15-21                  | 2                | 280 l |
| VERY HARD       | 22-28                  | 2                | 160 l |
| VERY, VERY HARD | >28                    | 2                | 140 l |

## TECHNICAL DATA AQA MONITOR

| INFORMATION                | AQA MONITOR                       |
|----------------------------|-----------------------------------|
| CONNECTION THREAD (IN/OUT) | 3/8" nut x 3/8" connection thread |
| INTAKE PRESSURE (MIN/MAX)  | 2-8 bar                           |
| FLOW CAPACITY              | 0.8-15 l/min                      |
| DIMENSIONS (L x W x H)     | 80 x 47 x 30 mm                   |
| INSTALLATION POSITION      | horizontal                        |

\* The indicated filter capacity is valid for standardised lab conditions. In operation the capacity can vary due to different parameters. Replace the filter cartridge when capacity is exhausted, the flow rate noticeably decreases and at least every 12 months.

°dH German Hardness

\*\* To adjust on filter head



### BWT Austria GmbH

Walter-Simmer-Straße 4, A-5310 Mondsee

+43 (0) 6232 5011-0

office@bwt.at

*bwt.com*