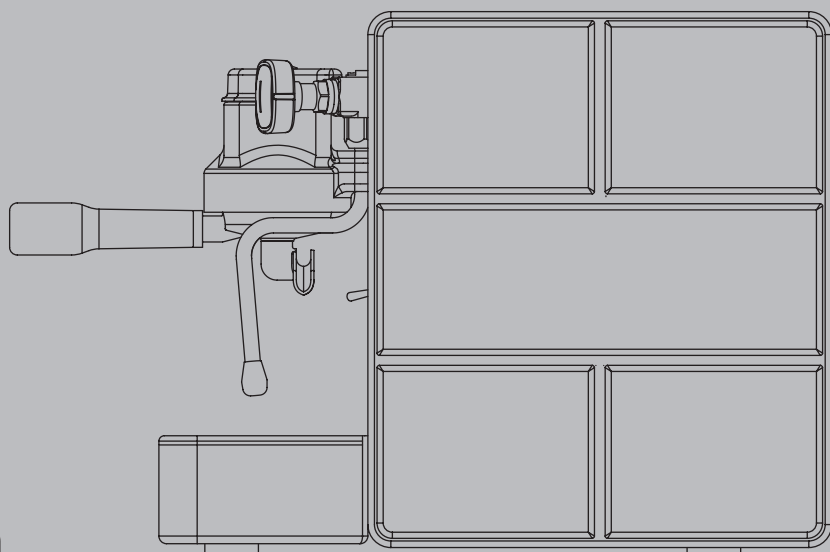


STONE

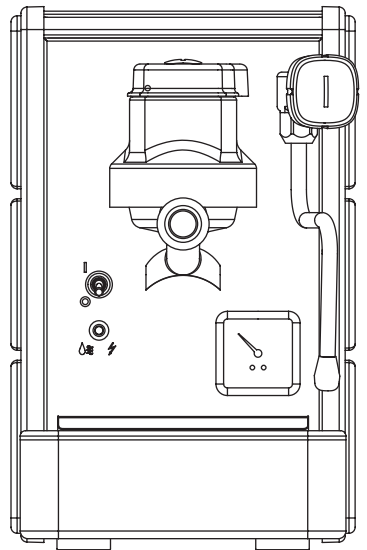
www.stone-espresso.com



English

STONE

Reinventing the Coffee Space.





A coffee machine that enhances your favorite origins. With Stone you will savor every nuance of your espresso. No more compromises —satisfy your passion for coffee.

Your kitchen becomes a gourmet coffee bar.



Optimum temperature stability, better results in the cup. Beautiful and compact, but with no compromises. Stone's design seduces and its thermal stability conquers. No plastic parts, only metal, meaning better and more consistent results in the cup.

Fast ignition.

Stone is ready in just 10 minutes. Save time, enjoy your coffee or cappuccino in serenity, and start the day in a great way.

Innovation takes shape.

Crafted with high-quality materials for a unique design, Stone packs its professional technology in a compact domestic size.

The pleasure of choice.

Discover all the stylistic combinations and choose the Stone that suits you best. The choice is yours, but the quality always remains at its highest level.

Pure

Side Panel: Grey



Slab: Grey



Plus

Side Panel: Black



Slab: Black

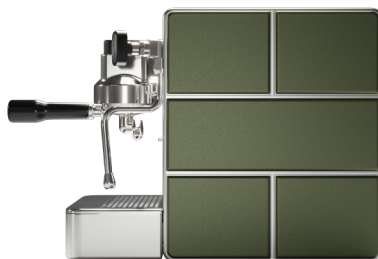


Mine

Side Panel: Satin



Slab: Black, Green



Mine Premium

Side Panel: Chrome



Slab: Satin



Mine Premium Wood

Side Panel: Chrome



Slab: Wood



Match it to your decor.

Rustic or industrial – whatever the style of your kitchen, with Slab choose the design you desire for your environment.





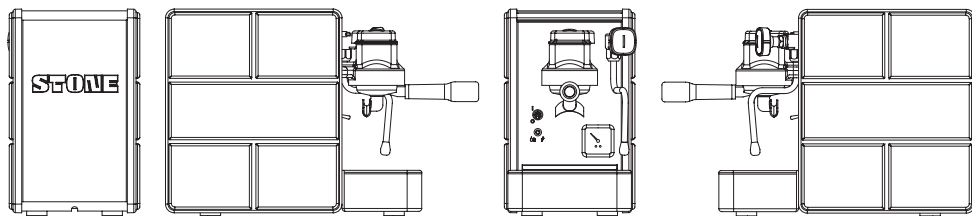
Stone changes with you.

Thanks to the quick coupling system, replacing the Slabs is fast and easy. So, if you change your house or decor, Stone can change with you.

Innovation takes shape.

- **Boiler capacity (1.5 L)**, equipped with a 1000W heater, crossed by an internal coil path for coffee water heating (10 cc).
- **Heavy brass group (>3 kg)** and PID-controlled heating system (200W) for a stable and constant brew temperature.
- **Steam chamber 0.8 L** for constant steam supply even during coffee brewing.
- **Removable water tank (1.2 L).**
- **ECO mode available.**
- **RGB led control light** for machine status and warnings.
- **Compact dimensions:** 22.5 cm x 44 cm x 35.5 cm (width x depth x height).
- **Total Weight:** 20.5 Kg.
- **220-240V 50/60Hz** and **115V 60Hz** versions available.
- **Stainless steel panels and fully customizable aluminum side elements** (different colors and materials available).
- **On-line configurator tool** to build and order your own machine.

Technical information.



Measurements

Width
225 mm

Height
355 mm

Depth
440 mm

Weight
20.5 kg

Heater

1000 W

Heating System

200 W

Boiler Capacity

1.5 L

Steam Chamber

0.8 L

Removable water tank

1.2 L

Wattage - Version A

220-240 V - 50/60 Hz

Wattage - Version B

115 V - 60 Hz

Panels

Stainless Steel

Side panels

Available in different colors and materials

STONE Lite



Minimalistic design, optimum
temperature stability.

Now available in Lite.

Beautiful and compact, Stone Lite's design seduces while its thermal stability conquers. No plastic parts, only metal, meaning better and more consistent results in the cup.

Stone Lite

Side Panel: White, Black



Stone Lite Premium

Side Panel: Chrome



Put a Premium on your counter.

Treat yourself with the new
Stone Lite Premium, the flagship
model of the Stone Lite Series.





Polished stainless steel panels, compact dimensions.



Find the perfect grinding match.

Freshly ground beans are a must-have. Explore the grinding possibilities to pair with your Stone machine.





More information and updates:

www.stone-espresso.com

Instagram: [@stone.espresso](https://www.instagram.com/stone.espresso)

