



**B** LINE

## The efficiency of BWT, keeps your pool beautiful and clean

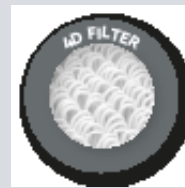
POWERFUL, EFFICIENT, ERGONOMIC  
EASY TO USE AND MAINTAIN

*Excellence  
inside*



# Why a BWT robotic pool cleaner, are they the best choice?

BWT B-Line robotic pool cleaners combine performance, beauty and functionality, all at a very attractive price. Above all, they have one feature that sets them apart: hyperfine BWT filtration.



## Among the finest filtration performances on the market

The 4D filter consists of elastic 3D microfiber loops, which, coupled with the vibrating motion, maximises water throughput. The vibration improves the suction power and prevents clogging of the filters. The 4D filter traps even the tiniest impurities. From leaves to grains of sand, nothing escapes.

## Easy filter cleaning

A lever allows the filter to be released and pulled out from above and then cleaned without getting your hands dirty.



## Efficient travel

With four large wheels, BWT robotic cleaners cope with any obstacles, moving easily between toys forgotten on the pool floor by your children. Simple and robust travel, perfect for a family pool.



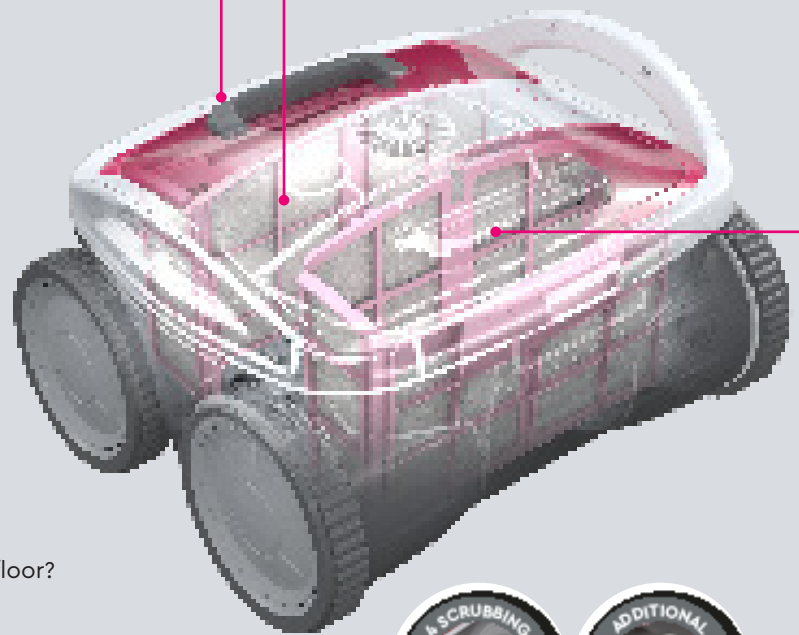
## Floor

You just need to clean the pool floor? Choose the BWT B100 model.



## Adjustable intake

BWT robotic cleaners feature the most powerful suction of any robot on the market. Suction can be increased up to twofold, thanks to precise adjustment of the intakes valves.



## 4 drive brushes + additional rotating brush

The 4 drive brushes dislodge deposits to leave the surface perfectly clean. The additional rotating brush ensures impeccable cleaning of the pool floor.

*"BWT clean!"*

*Ideal for  
above-ground  
pools and  
small pools*



**Fast cleaning**

Length of the cleaning cycle: one and half hours.

**Transparent filter lid**

The transparent filter lid allows monitoring of filter fouling without having to remove the filter from its housing. For example: When you remove the robotic pool cleaner from the pool, you can easily see if the filter needs to be cleaned or if the B100 is ready to go again.

Pool size	For pools up to 8 m long (any shape or surface finish)
Cleaning type	Floor
Cleaning cycle duration	1.5 hours
Filter type	4D, hyperfine microfibre, transparent filter lid
Filter access	Easy Top Access
Type of brushes	4 PVA brush wheels
Extra brush	Rotating PVC brush
Platform	4 WD
Suction flow rate	19 m <sup>3</sup> /h
Cable length	16 m, premium grey
Adjustable intake	Yes, Higher suction power
Dimensions (L x W x H)	35.5 x 41 x 24.6 cm
Weight	9.5 Kg
Guarantee	2 years





B100



B200

# *A world made for you!*

EXCELLENCE, INTELLIGENCE, INNOVATION

The BWT world is made for you, and its robotic pool cleaners are designed with you in mind.  
Don't hesitate, step into an exceptional world.

AQUATRON LTD.

✉ [customerservice.europe@bwt-group.com](mailto:customerservice.europe@bwt-group.com)

**Aquatron**  
robotic technology  


Dealer's stamp: